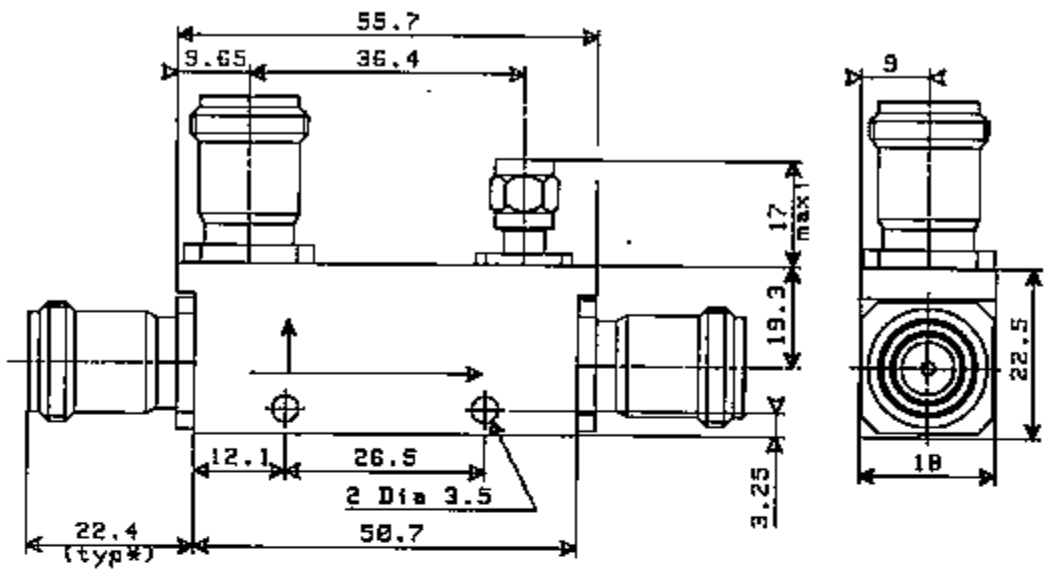




50W 1.7 - 4.2 GHz 10dB FLAT RESPONSE DIRECTIONAL COUPLER

Issue 06.apr.94 Page 1/1



R F CHARACTERISTICS

General tolerances: +/- 0.5 mm

FREQUENCY RANGE	: 1.7 - 4.2 GHz
IMPEDANCE	: 50 Ohms
COUPLING (*)	: 10 dB ± 0.5 dB ✓
FREQUENCY SENSITIVITY	: ± 0.3 dB
DIRECTIVITY	: ≥ 20 dB
INSERTION LOSS	: ≤ 1 dB
V.S.W.R	- Main line : ≤ 1.25
	- Coupled line : ≤ 1.25
AVERAGE POWER at 25°C	: 50 W
PEAK POWER at 25°C (1ps,1%)	: 3 kW

MECHANICAL CHARACTERISTICS

CONNECTORS	: N female per MIL-C 39012
COAXIAL TERMINATION	: 50 Ohms, 1 W
WEIGHT	: < 140 g

ENVIRONMENTAL CHARACTERISTICS

OPERATING TEMPERATURE RANGE (°C)	: -25 , +85
STORAGE TEMPERATURE RANGE (°C)	: -40 , +100

* : Frequency sensitivity is included in coupling

This information is given as an indication. In the continual goal to improve our products, we reserve the right to make any modifications judged necessary.

CREATION				
N° :				
PEN/EP: DAT				
Name: YB				
Date: 06.apr.94				
APP.: PG				
ISSUE	REVISIONS	NAME	APPR.	

RADIALL®
101, rue P. Hoffmann - Z.I Ouest -
93116 ROSNY/BOIS Cedex-FRANCE
Phone: 33(1)43353535
Fax : 33(1)48546363
Tlx RADIA 235220F

4112-9212